

Broadband distribution amplifier

WHX-923



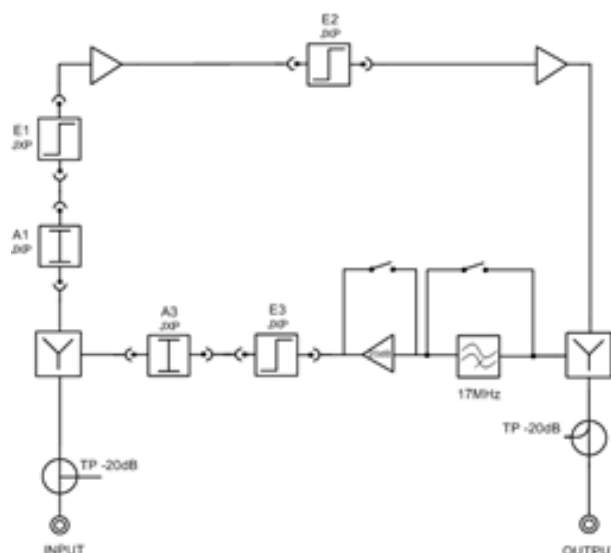
WHX-923 amplifier was designed for professional multimedia CATV networks where intensive use of the return path transmission takes place.

Application of GaAs technology ensures obtaining perfect signal parameters - high output level with very low inter-modulation distortions. GaAs technology enables reduction of power consumption which has an influence on reducing CATV network maintenance costs.

WHX-923 amplifier is adjusted with JXP plugins.

- Output stage amplifier based on GaAs hybrid with Power Doubler configuration
- High output level: 114dBμV
- 1 GHz frequency range
- Easy configuration
- Switchable return path: passive / off / active
- Line overvoltage protection
- Local or remote power supply
- Robust, die-cast aluminium housing

BLOCK DIAGRAM



TECHNICAL PARAMETERS

PARAMETERS		WHX-923	
FORWARD PATH			
Frequency range	MHz	87...1006	
Gain	dB	36	
Flatness	dB	±0,75	
Max. output level CENELEC 42	dB μ V	107	
Input attenuator	dB	JXP plug-in: 0...20, step 1	
Input equalizer	dB	JXP plug-in: 0...20, step 1	
Interstage adjustment	/	JXP plug-in: 0...12, step 1	
Test point	dB	-20 ±1	
Noise figure	dB	< 7,5	
Return loss at all inputs / outputs: - in the frequency range of 5-40MHz - in the frequency range of 40-1006MHz	dB	18 ≥18 @ 40MHz – 1,5 / oct.	
Noise factor	dB	7,0	
RETURN PATH			
Frequency range	MHz	5...65	
Gain	dB	-50 or -2,5 or +20	
Flatness	dB	±1	
Output attenuator	dB	JXP plug-in: 0...20, step 1	
Output equalizer	dB	JXP plug-in: 0...10, step 1	
Test point	dB	-20 ±1	
Noise figure	dB	<7	
OTHERS			
Operating voltage	local: AC/ Hz	V _{AC} / Hz	180...253 / 50-60
	remote: AC/ Hz		24...65 / 50-60
Power consumption (active return path) - Local	W	<6,5	
Current consumption at 28V _{AC} / 65V _{AC}	A	0,165 / 0,4	
Operating voltage – Remote (marked "Z")	V AC / Hz	24 ÷ 65 / 50 ÷ 60 (sinusoid or trapezoid)	
Connector	/	F	
Protection class	/	IP52	
Test point	dB	-20	
Operating temperature	°C	-20...+55	
Weight	kg	1,0	
Dimension	mm	107x155x75	
Package	/	box	

Technical parameters may be changed without earlier notice.

www.telmor.pl